



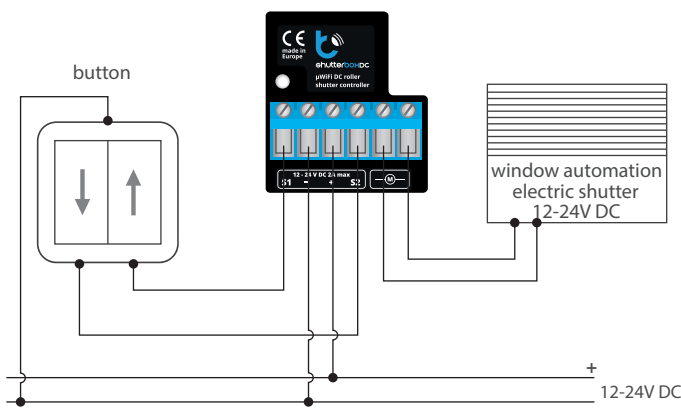




SAFETY RULES

-  Do not connect the device to loads exceeding the permitted values.
-  Connect only in accordance with the diagram presented in the manual. Improper connections may be dangerous, it can damage the controller, and loss of the warranty.
-  DANGER! Risk of electric shock! Even with the device turned off, the outputs may be live. All assembly work should be ALWAYS performed with the disconnected power circuit.
-  The installation of the device to a power mains that does not meet the quality requirements defined by the laws in force in the country of installation, will result in the loss of the warranty.

CONNECTION DIAGRAM



1 INSTALLATION - BASICS

- Disconnect supply voltage circuit before installing the controller. Remember that any mounting works should be carried out when the main voltage is disconnected (switch off the mains fuse or disconnecting the power supply from the socket).
- The controller should be installed in a place protected against adverse environmental conditions, protected from third party access - in the flush box or inside the enclosure of the controlled device. Remember that metallic elements (wires, housing parts) have a negative influence on the range of the device, and consequently the comfort of use. It is recommended that the device be mounted in a stable and fixed position.
- Familiarize yourself with the diagram and then proceed with the installation of the controller. Pay special attention to the designation of the controller connectors. Start by connecting the power wires: (+) (red or black with a white dotted line) and (-) (black).
- The controller supports all types of double monostable push-button. The order of connection of the S1 / S2 input, to the right / left push-button does not matter at the installation stage - it can be set at a later stage of the controller configuration.
- After making sure that the device is connected in accordance with the diagram and that there are no metal components near the controller which may accidentally cause short-circuit, start the device by turning on the power (turning on the mains fuse or connecting the power cord to the power outlet).

2

FIRST START

- Download the **free wBox application**. If you have an Android mobile device, you will find the application in the Play Store. For iOS devices the application is in the App Store.
- By using your mobile phone or tablet, connect it to the device wireless network. To do this, enter to your smartphone or tablet settings, then go to setting of the WiFi network and find the network name „shutterBoxDC-xxxxxxx“ where xxxxxxx is the serial number of the device. Connect to this network.
- Turn on the wBox application. A device will appear at the top of the screen. To add it to the application, click on "+" on the right side of the name. To pre-configure the controller, click on the default device name.



You can also set the configuration using the web browser of your phone / tablet. After connecting to the wireless network of the controller, turn on the browser and go website www.blebox.eu

- Test the controller's work by clicking on the arrow near to the area showing the window. If the electric shutter is moving in a different direction than you suppose, go to „Settings“ (icon at the top-right corner of the screen) and select "Enable" in the "Move direction swap" option. Remember to save your settings by clicking the "Save" button, then go to the main panel by clicking the arrow at the top-left corner of the screen. Check again whether the window automation moves as expected.
- If you have connected the wall push-button, check its work. Single pressing of the "down" button / "up" button, will cause that the actuator moves in the desired direction to the end position. If the window automation goes in the opposite direction to the expected, select "Enable" in the "Inputs swap" option. When the electric actuator is moving, pressing any of the wall switches causes that the automation will stop immediately.
- The next step is to select the type of automation to be controlled - in settings under "Control type", select one of the options: "Roller shutter", "Window opener", "Material shutter", "Awning" or "Screen". The individual options differ by the control algorithm (among others, the conversion of the set position to the time of movement) and the icon on the control screen. The "Tilt shutter" option is designed for controlling tilt shutters with steerable louver rotated by a single motor. After selecting this option, it is also necessary to set an additional field "Time of maximal rotation of louvers in milliseconds" (suggested value approx. 1100 ms). This is the time in which the louvers will be in the maximum angle of rotation before the shutter starts rolling - thanks to this, the control screen can be used to adjust both the position of the blind and the additional scrollbar, for the angle of the louvers. If you have an unusual engine, select the "Without positioning" option. Specify also the maximum time of movement which is needed for the transition between end positions - this is the time in which the controller gives voltage to the roller motor (it is not recommended to turn off the move timeout). A suggested value of 120 seconds is sufficient for most motors.
- If the controlled electric actuator have a mechanical limit switch, is possible the control to a certain point. To use this feature, calibrate the controller by clicking the "Auto calibration" button. Once the procedure is confirmed, the electric shutter will open to the upper limit switch position, then will close to the lower limit switch position and then will open again to the upper limit switch position. During the calibration, do not perform any action. To check the work of the control to a certain point, go to the main panel by clicking the arrow at the top-left corner and then by moving the finger several times over the area showing the window in extreme and intermediate positions, verify if the electric shutter moves to the selected position in the animation. You can also set your electric shutter position - to do this, set the electric shutter in the desired position and then hold the heart icon for about 4 seconds. Then verify the functionality - moving the electric shutter to another position, then click on the heart icon. The electric shutter should be placed in your favorite position.



- Once you turn on the controller for the first time, you can proceed to its further configuration. Being connected to the WiFi network emitted by the device, in the control panel of the wBox application select the device, then go to "Settings" (icon at the top-right corner of the screen).
- You can change the name of the device that is displayed in the wBox application. In addition, you can change the name and password of its generated WiFi network. Remember that changing the network name or password will disconnect the device immediately after you click the "Save" button, so re-connect to the device using the newly assigned network name and password.
- You can add the controller to your home WiFi network to control it through this home network or from anywhere in the World. To do this, in the "Connect" settings section, select a network name from the list and press "Connect". If is required, enter the WiFi network password. During the connection of the controller to your home network, the phone / tablet may be disconnected from the network. In this case, you will need to reconnect your phone / tablet to the controller network.
- Please remember that in order to control the device outside the local WiFi network, from anywhere in the World by using the wBox application, the option "Remote access enabled" in the controller settings must be set to "Yes".
- Once you've finished configuring the WiFi network, you can disconnect your phone/tablet from the controller network and connect your mobile device directly to your home WiFi network. The control from the wBox application will work the same way as when the phone / tablet is connected to the controller network. If the user leaves the local network, for example, leaving home or using the mobile data, the wBox application will signal this state as "Remote mode". In this case, the devices can be controlled, but for security reasons settings are not available.

TECHNICAL SPECIFICATIONS

supply voltage	12-24V DC
energy consumption	< 1W
number of outputs	2
type of outputs	H-bridge
maximum load	2 A
number of inputs	2
inputs type	logical, pushbutton, short circuited to GND, configurable
supported switches	double monostable (push-button), not-illuminated
housing	made of polyurethane composition not containing halogens, self-extinguishing for thermal class B (130 °C)
protection level	IP20
dimensions	38 x 33 x 20 mm
transmission type	bi-directional, encrypted
radio frequency	2.4 GHz
communication standard	µWiFi, compatible with WiFi, 802.11g

mode

direct connection (as Access Point), Wi-Fi connection via a standard router, connection with access from any location in the world (requires only access to the Internet)

compatible devices and systems

Apple iPhone, Apple iPad, iPad Mini, Android, computers and mobile devices supporting HTML5

ADDITIONAL INFORMATION

LOCATION AND TIME OF THE DEVICE, SCHEDULE

The controller has the ability to work according to a given schedule. To make this possible, set the device's time. Go to settings in the "Device time" section, click "Change timezone". Then select your region and location from the list, confirm your selection clicking the "Save" button. The device will synchronize its time with the server time (if the controller is in a WiFi network with access to Internet) or it will download time from the phone / tablet. It is recommended that the controller is always connected to a WiFi network with Internet access so that it can automatically synchronize its clock.

To be able to control devices using the local sunrise and sunset, you must also select the location of the controller. You can specify the location of the device using a smartphone or tablet. In the section "Device location", click "Set locations". Browser will ask whether to share locations - allow. In the "Coordinates" field, should appear the approximate coordinates of your location. If the "Set locations" button blinks red with the word "Error", or the "Coordinates" field did not change the value from "Not set" to numeric data, a failure has occurred during the location download. You should make sure that the phone / tablet has a GPS module and that the sharing location service is enabled on the phone.

Adding schedule entries can be performed by clicking the "Add item" button in the "Schedule" section of settings. You can select the days in which the task will be performed, the type of entry (at a specific time, or relative to sunrise / sunset - only having a correctly set location) and set the parameters of the task. The set tasks will be visible as a list, individual entries can be edited or deleted.

SOFTWARE UPDATE

To update the software in the controller, connect it to your home WiFi network (see "Access Point and WiFi Network Settings" section) which is connected to the Internet. Go to "Settings" (icon at the top-right corner of the screen) and click the "Get new firmware" button in the final section on settings. Wait about 1 minute, do not close the interface and don't perform other actions. The device will download the latest software. The software version number, hardware version and device identifier can be read at the bottom of the settings screen.

for more information visit our website
www.blebox.eu
 or send us an email to: info@blebox.eu

support is available at support@blebox.eu

made in europe



proudly made by
blebox

We declare under sole responsibility that the following products:

Name: BleBox control devices

Models:

- **LightBox** - LED controller for lighting appliances;
- **wLightBox** - LED controller for lighting appliances;
- **wLightBoxS** - single channel LED controller for lighting appliances;
- **dimmerBox** - dimmer controller for lighting appliances;
- **ampBox** - LED amplifier;
- **proximityDimmer** - LED dimmer with proximity control;
- **twilightSwitch** - LED twilight switch;
- **reflectiveSwitch** - optical LED switch;
- **gateBox** - gate controller;
- **shutterBox** - roller shutter controller;
- **shutterBox DC** - low voltage roller shutter controller;
- **switchBoxD** double electric appliance controller;
- **switchBox** - electric appliance controller;
- **switchbox DC** - low voltage electric appliance controller;
- **parkingSensor** - ultrasonic light controller;
- **uRemote** - uWiFi remote control;
- **inBox** - universal input module;
- **airSensor** - air quality sensor;
- **tempSensor** - temperature sensor;
- **squareLight RGBW Master 85mm, rectLight 60x40mm, squareLight RGBW Master 140mm;**
- **rollerGate** - roller gate smart control panel;
- **saunaBox** – sauna control panel;
- **RwBox** – rain and wind sensor;

Complies to requirements of the following directives:

- Low voltage Directive (LVD) 2014/35/EU
- Electromagnetic compatibility Directive (EMC) 2014/30/EU
- RoHS II 2011/65/EU
- RED 2014/53/EU
- WEEE 2012/19/EU

The following standards have been applied:

- IEC 60335-1: 2010
- EN 62368-1: 2014
- EN 61000-6-2: 2005
- EN 61000-6-3: 2007

The products carry following marking:



I, the undersigned, hereby declare that the equipment specified above conforms to the listed directives and standards.

MSc., Eng. Patryk Arlamowski, CEO

Blebox Sp. z o.o.

ul. Kunickiego 63, 54-616 Wrocław

KRS: 0000594214 NIP: 8943071265

Kapitał zakładowy: 250.000,00 zł (w całości opłacony)



proudly made by
blebox

